

Keller International
1431 Lake Rd. Hamlin NY 14464
Tel: (585) 964-8080 Fax: (585) 964-8093
Toll Free: 1-800-578-8772

K4003 - Plumbing Requirements: Must be installed by licensed plumber for warranty to be in effect.

IMPORTANT: Plumber MUST flush all lines before hooking up faucet!! Sawing and installation of piping creates chips, which will ruin the faucet and plug the showerhead.

Please follow all plumbing codes as required by your local municipality. Your plumber should be aware of all plumbing codes.

- 1) Hot and cold faucet water supply lines are standard ½ inch female iron pipe supply lines. You will need to provide ½ inch hot and cold (male) water shutoffs with connectors. The male connectors should be brass but must seal with the flat gasket provided in the faucet assembly. Rubber silicone sealant is also recommended.
- 2) The drainpipe is a standard one and one-half inch diameter pipe. (Supplied with unit)
 - For easy installation a standard “S” trap or “P” trap with optional hair trap or “Studor Mini-vent” can be install to meet plumbing codes (not included with chair).
 - If the shampoo unit is mounted farther than 4 feet from the wall where the standard roof vent is installed; then an auto vent should be installed inside every unit near the trap. Note: auto vents need to be 4” or higher than the weir of the trap. See diagram and www.Studor.com for specifications on auto vents. Studor Mini-vent listing IAMPO classified marking, file No. C-3803.
- 3) If the optional vacuum breaker is installed it is a Watts Model N388-SC which conforms to standard ASSE 1001 ISO 9001 certified.

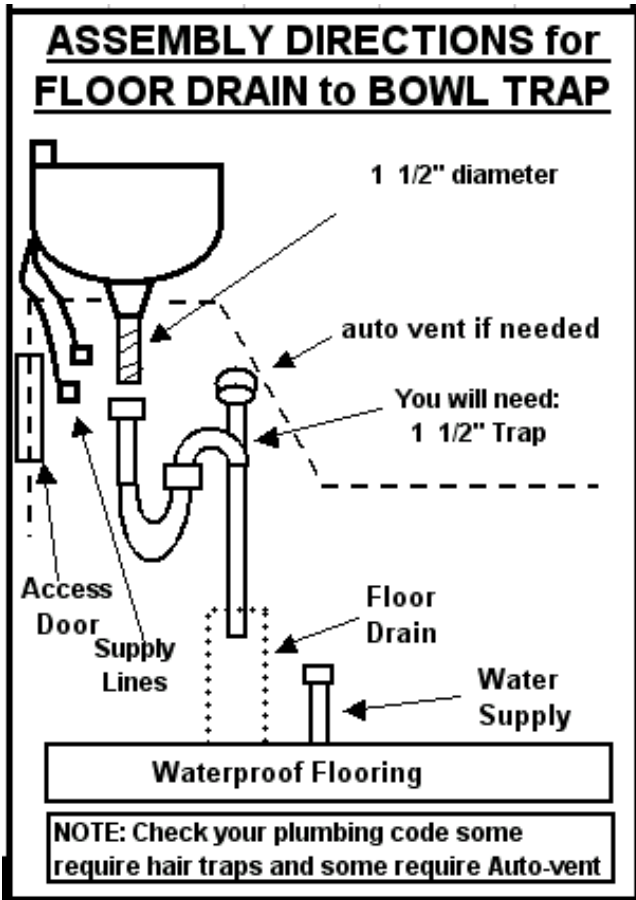
Mounting Requirements:

- 1) The fiberglass unit should be mounted on a flat waterproof floor and may require a *small* bead of rubber silicon around the underside of the fiberglass to help stabilize the unit due to small gaps. Silicone will also seal out any water.
- 2) Do not use an excessive amount of silicon and Do Not use glue.
- 3) The unit must be bolted to the floor using the hold down brackets.
- 4) After choosing the location for the unit, mark around the outside of the fiberglass base with chalk or marker.
- 5) Lift unit out of location and put a small bead of rubber silicone on the floor or on the bottom rim of the fiberglass unit.

NOTE: This is important to maintain a flat support.

Note: Chrome-Steel footrest is NOT designed for standing – only for foot resting. Customer decides whether or not to install travel restriction bolt. With bolt installed – footrest cannot be removed.





If your bowl drain is mounted further than 4 ft from a vertical wall with your roof vent then it is recommended that you install a Studor - Mini-Vent. It must be 4" above weir of trap.

Note: All local plumbing codes vary. Some areas may not require an auto vent.

Consult your local plumbing codes.

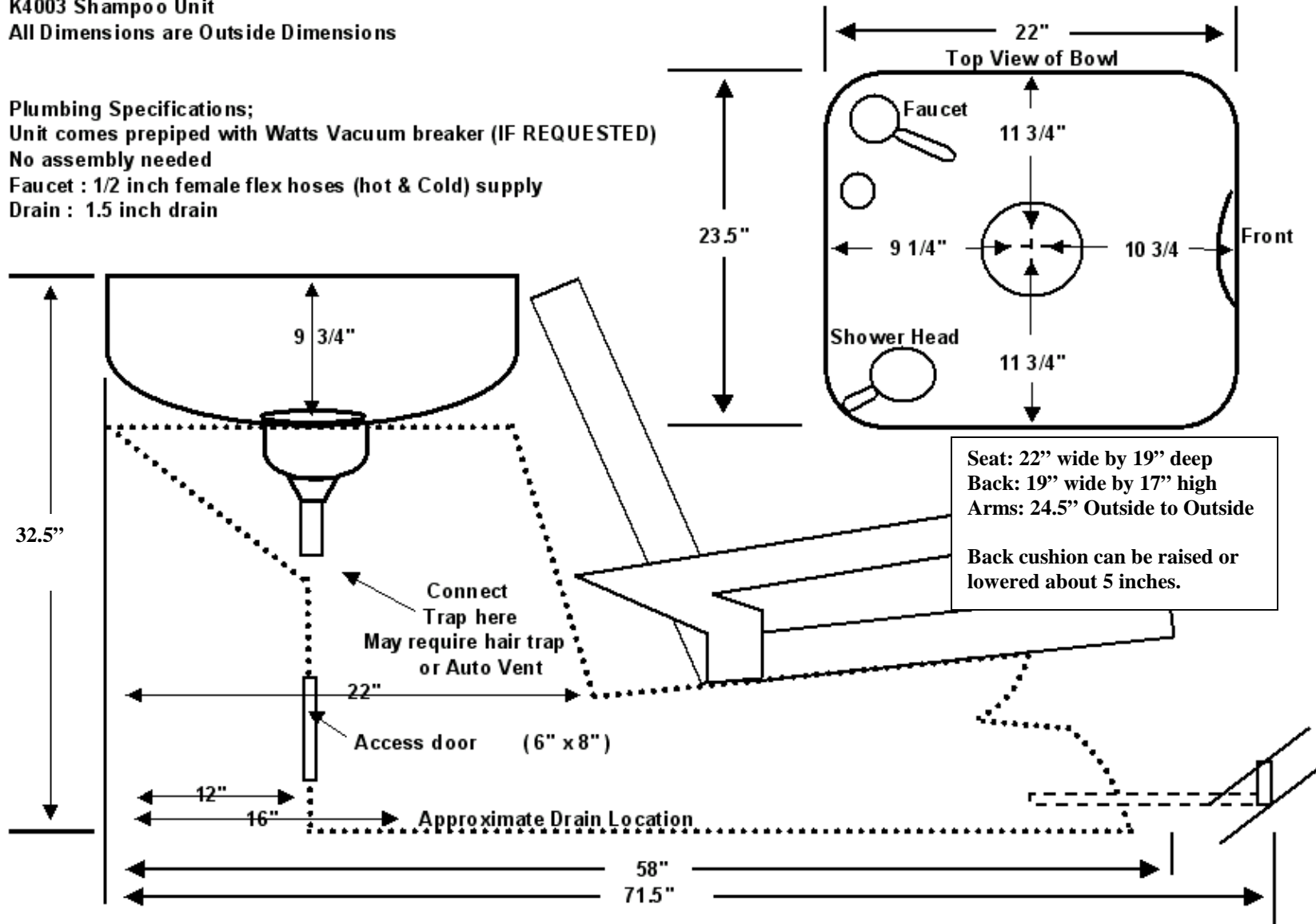


If you have any questions, please call 1-800-578-8772 for assistance. Thank you.

Note: If your Shampoo Unit is mounted near or backed up to the wall you may pipe the plumbing through the back access door by leaving the door off or hole sawing the fiberglass cover.

K4003 Shampoo Unit
All Dimensions are Outside Dimensions

Plumbing Specifications;
 Unit comes prepped with Watts Vacuum breaker (IF REQUESTED)
 No assembly needed
 Faucet : 1/2 inch female flex hoses (hot & Cold) supply
 Drain : 1.5 inch drain



Water supply can be plumbed from inside of units base by hole sawing 1.25 inch hole in fiberglass near sink for small flexible lines. Or water supply can be plumbed externally to wall if unit is backed up to a wall.